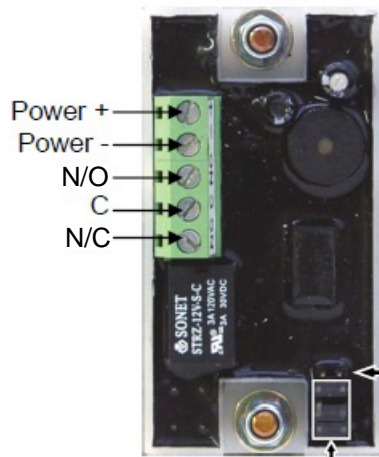


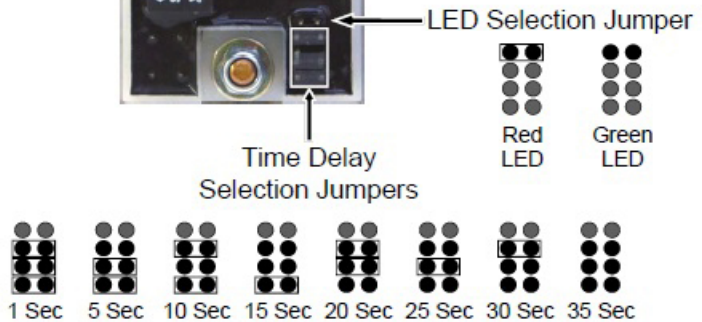
INSTALLATION INSTRUCTIONS MODEL NTS-1



Backup Button
(Use if motion detection fails to operate switch)



To ensure proper wire connection note that the silver contact of the terminal block is all the way down when loosened. Proper connection is made when tightening the screw on the terminal block such that the silver contact rises upward to clamp the wire in place.



Specifications -

Input Voltage: 12-24 Volts DC
 SPDT Contact Rating: 2A @ 30 Volts AC or DC
 Sensor Detection Range: Up to approximately 4 inches
 Operating Temperature: -25°C to +55°C
 Current Draw: 50mA @12VDC, 65mA @ 24VDC

Operation -

To operate the switch, make a slow waving motion with your hand within approximately 4 inches of the front of the plate. A tone will sound indicating that the relay has been activated. Switch relay will activate for the amount of time as set by the time delay jumpers.

The LED circle on the front of the plate can be set to either the color red (flashes green in 1 second intervals when relay is active) or green (flashes red in 1 second intervals when relay is active).

The Backup Button can be used if the motion detector fails to activate the relay.



Alarm Controls
 10027 South 51st Street. #102
 Phoenix AZ 85044
 (800) 645-5538
www.alarmcontrols.com